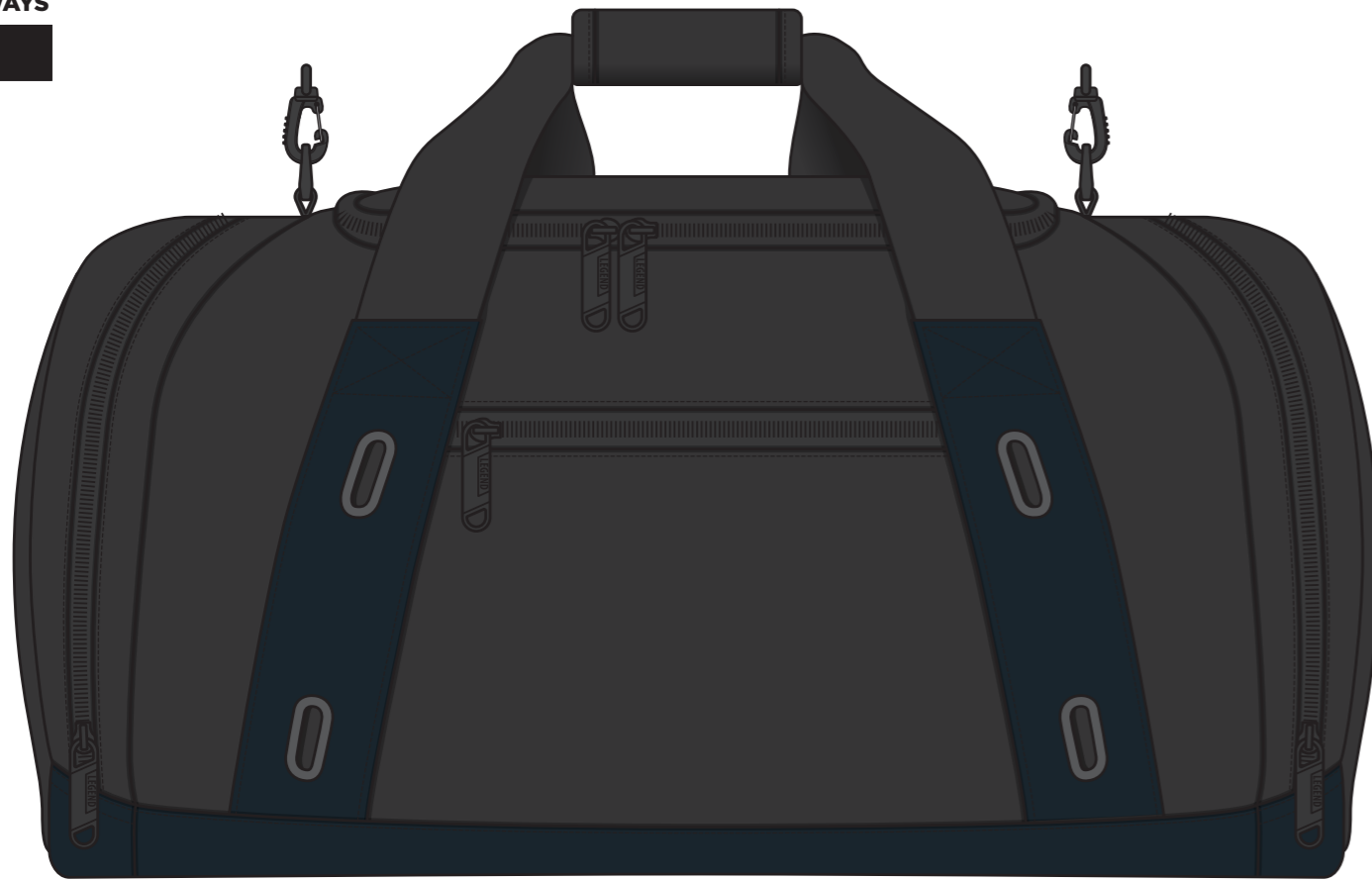
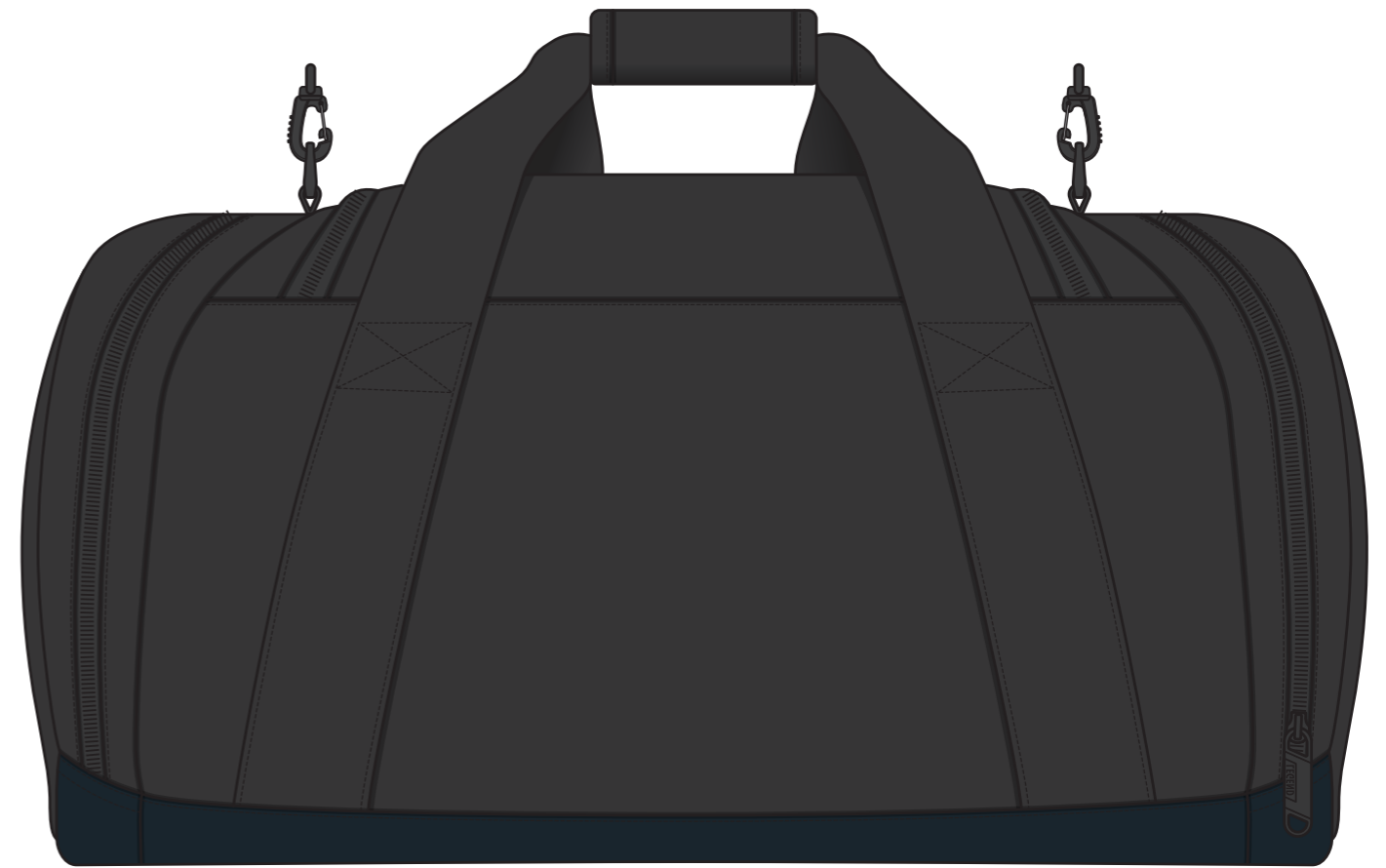


1289

COLOURWAYS



FRONT



BACK



TOP



LEFT END

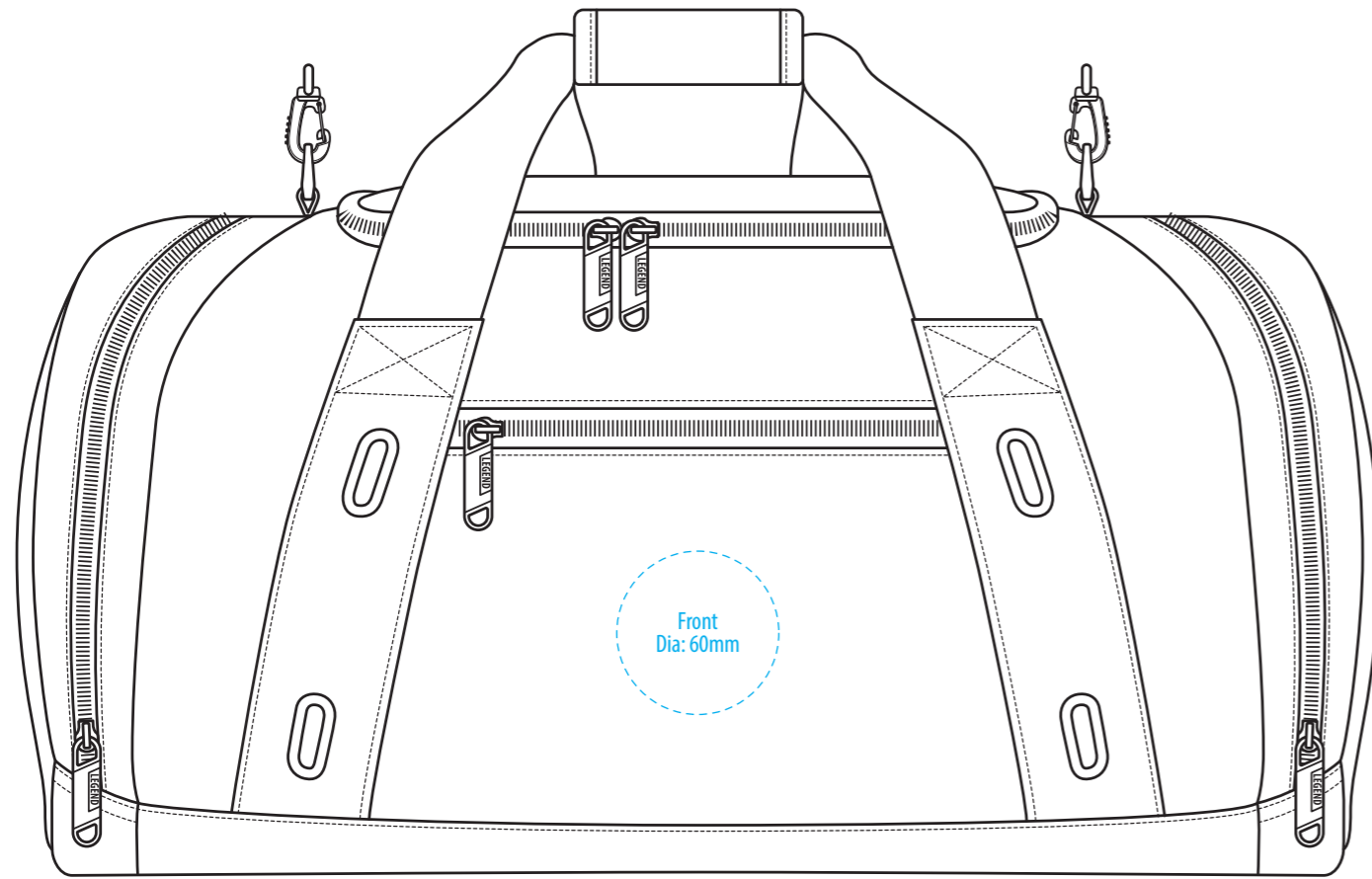


RIGHT END

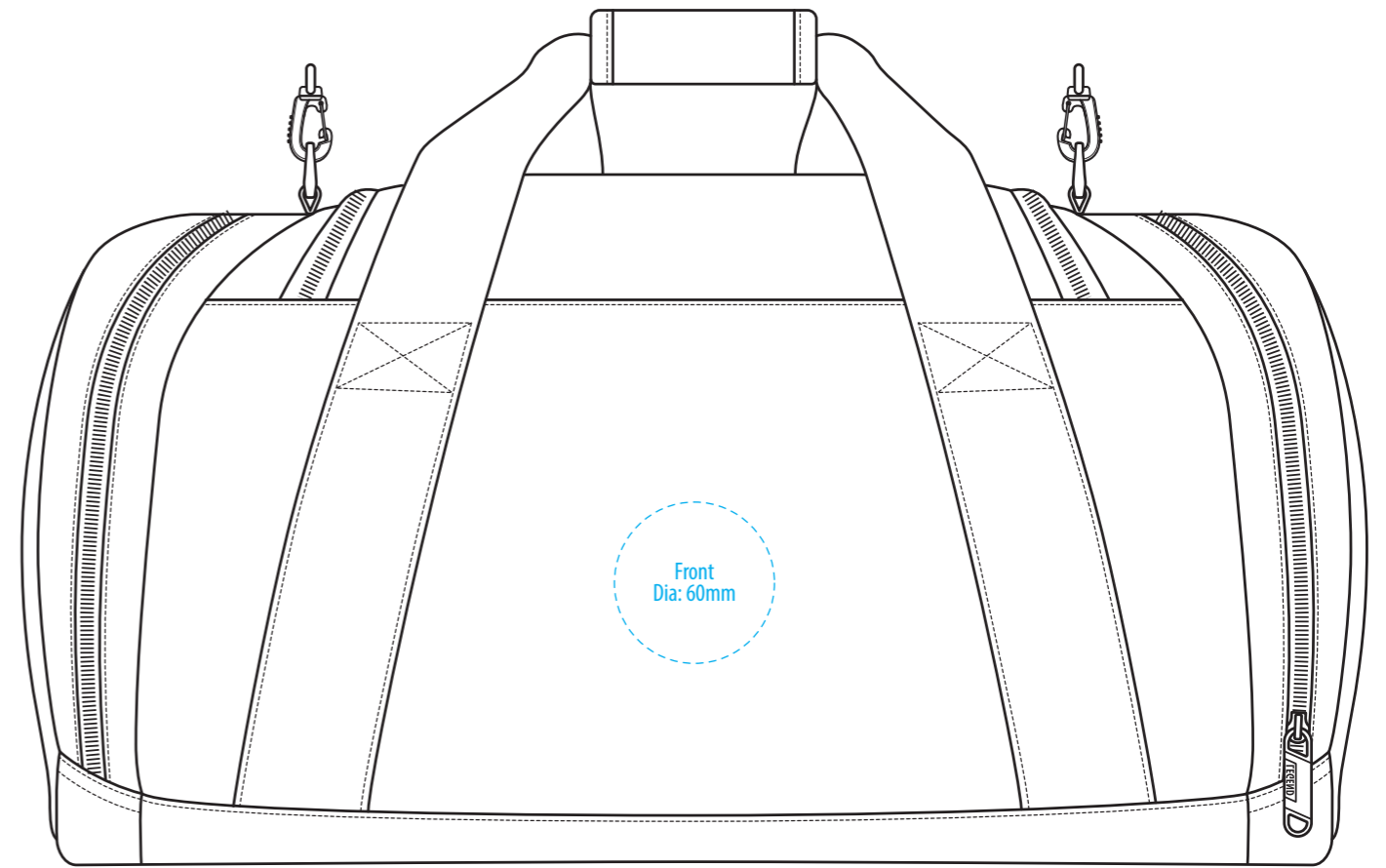
NOTE:

The maximum decoration area is a guide only and is greatly dependant on the logo shape.

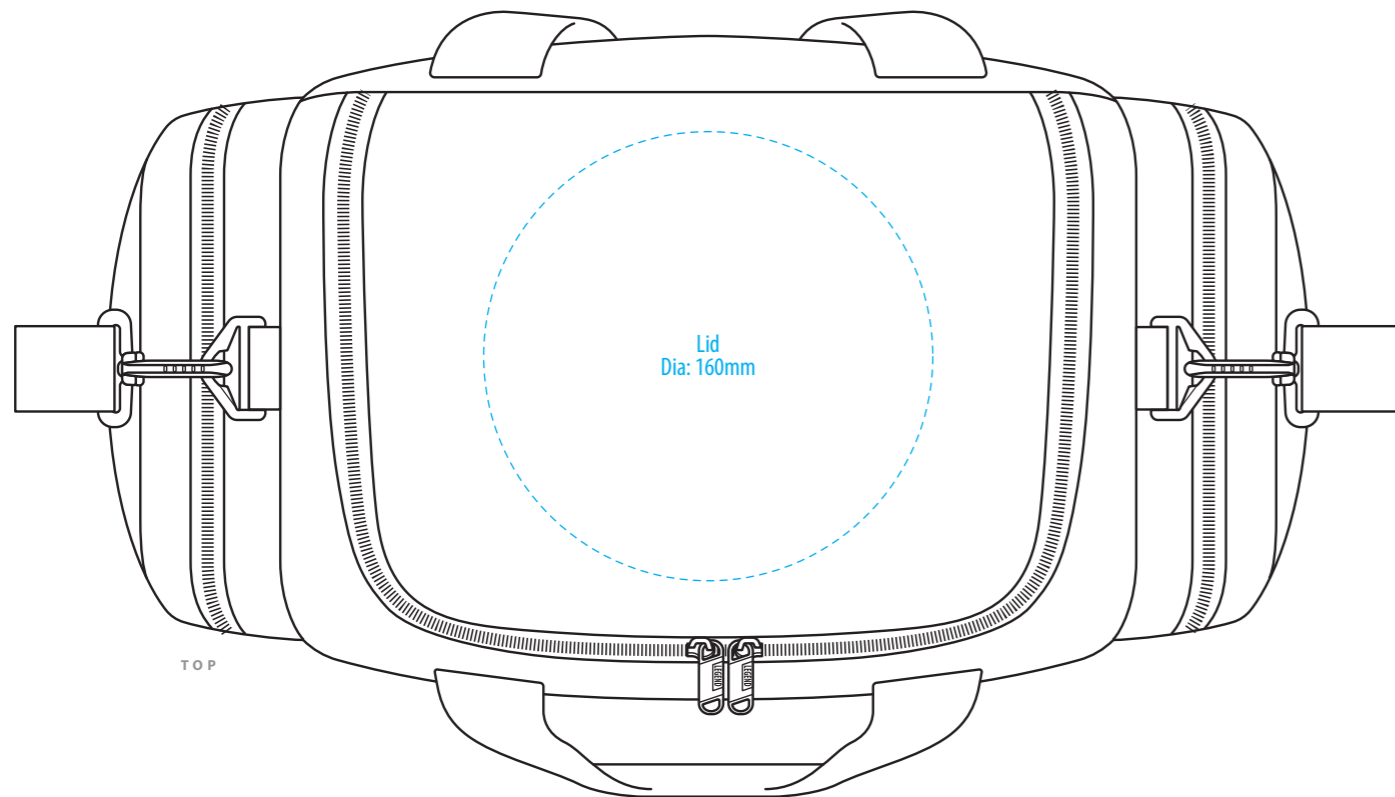
COLOUR



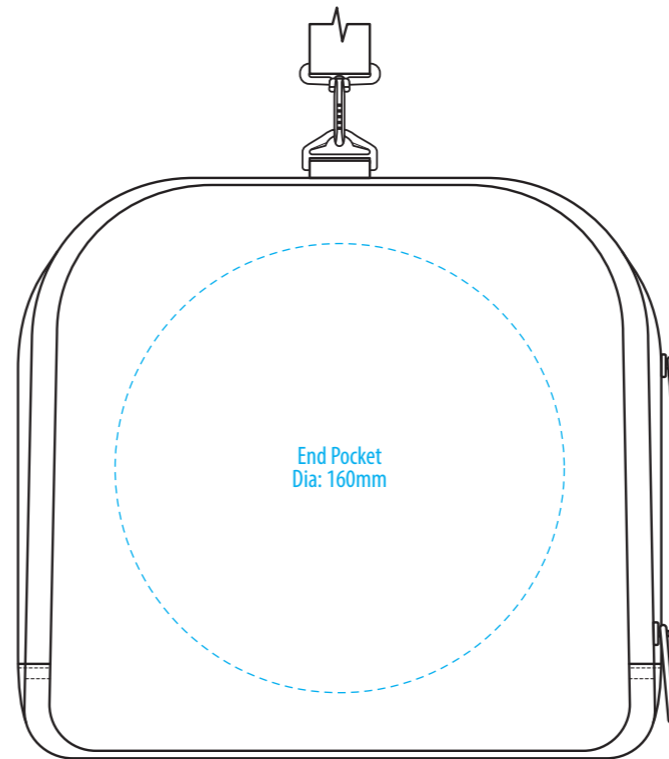
FRONT



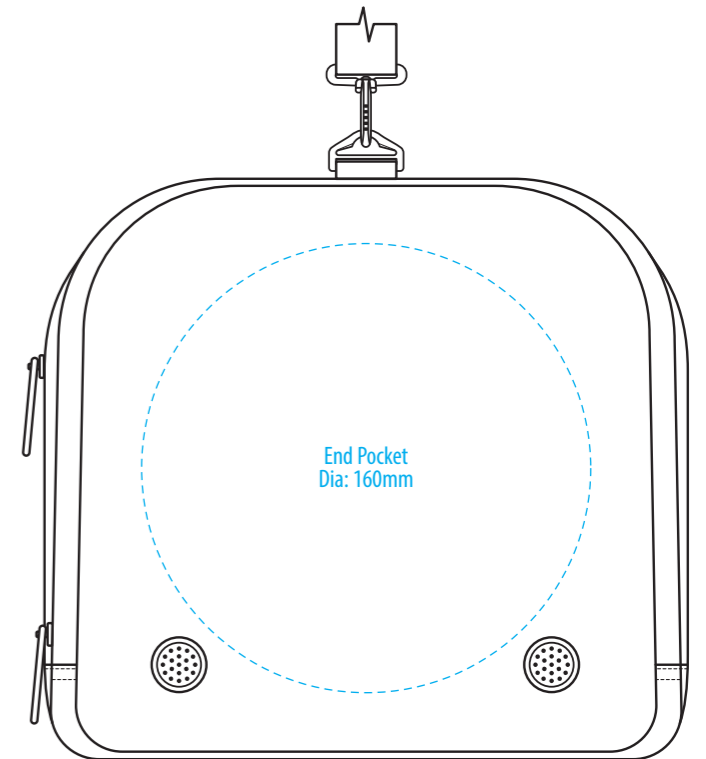
BACK



TOP



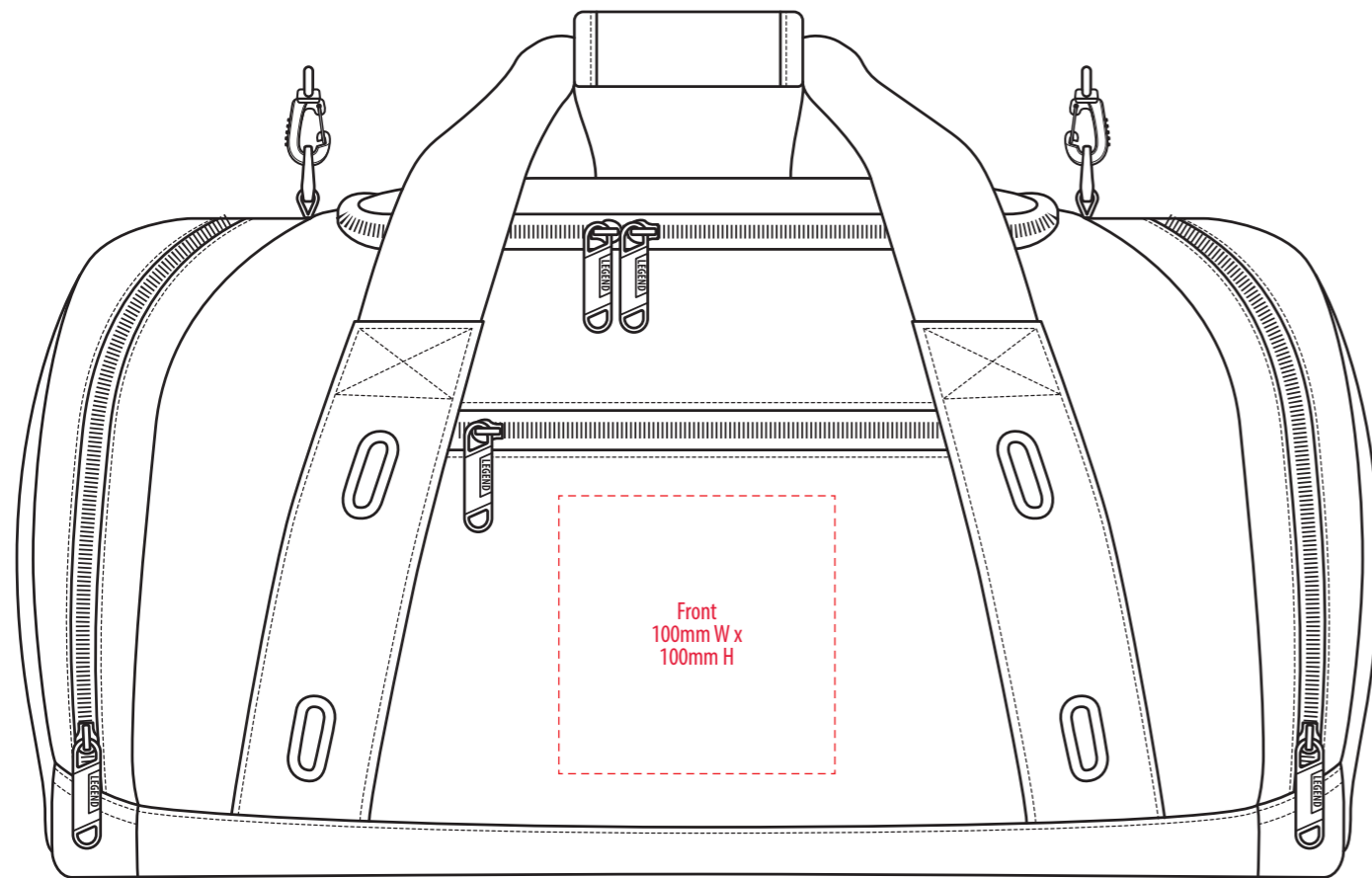
LEFT END



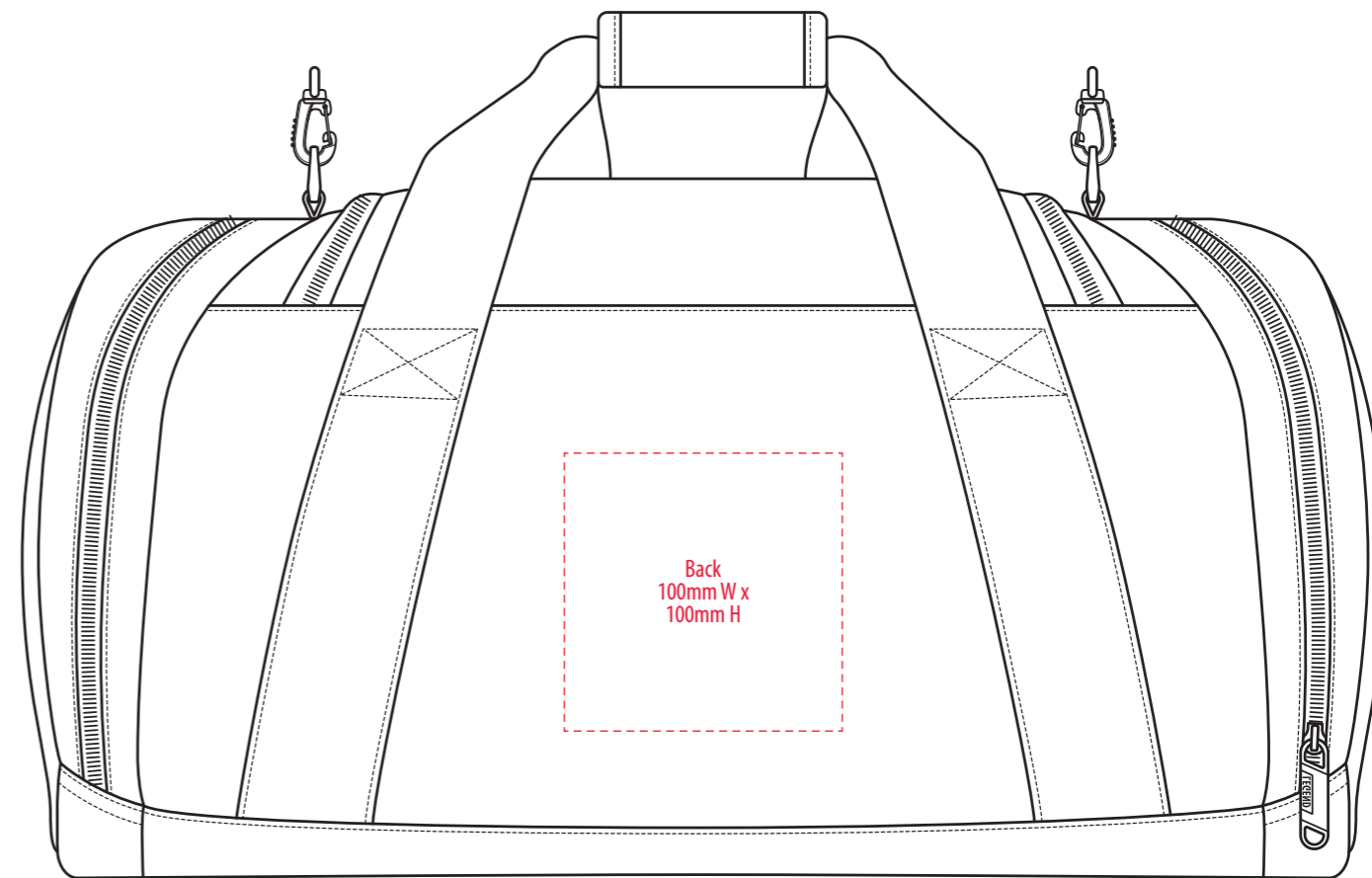
RIGHT END

NOTE:
The maximum decoration area is a guide only and is greatly dependant on the logo shape.

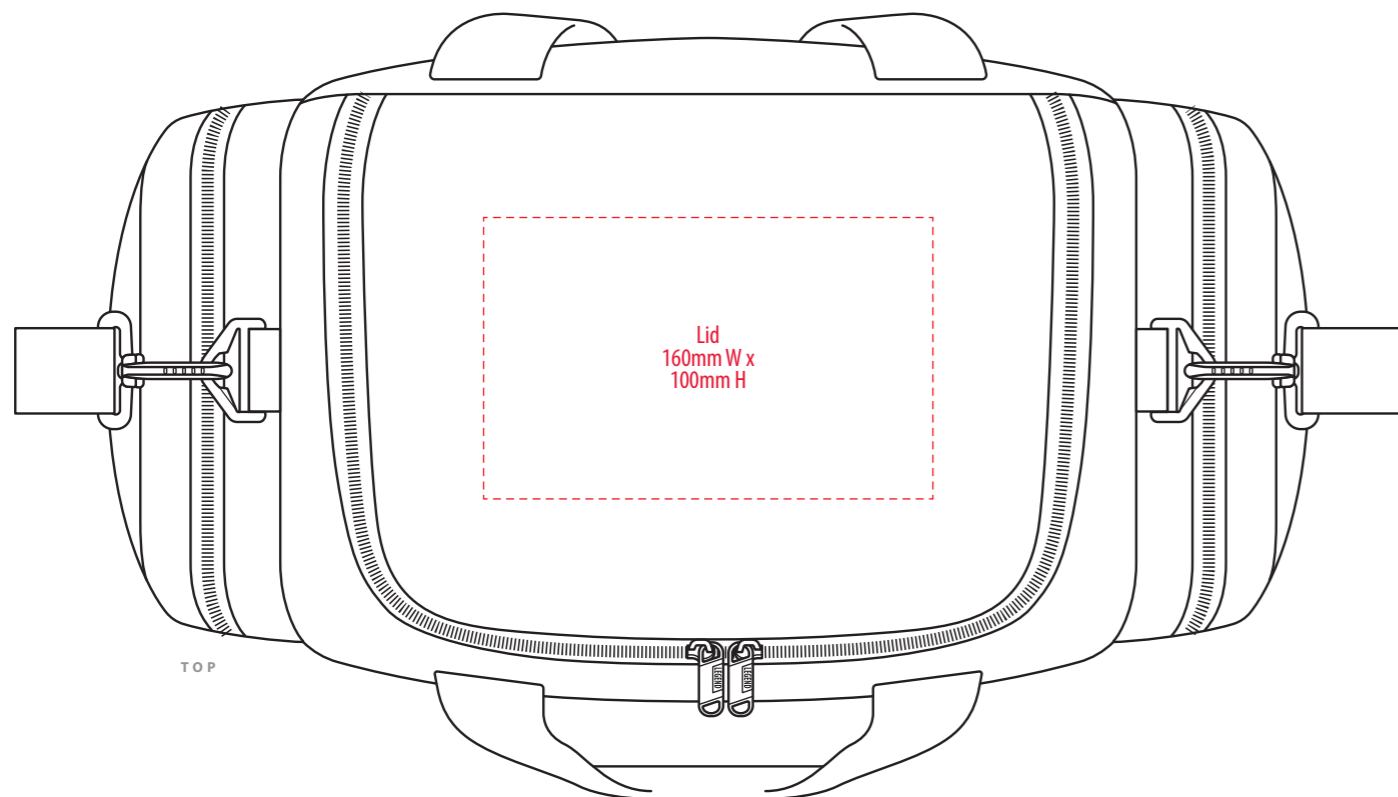
EMBROIDERY



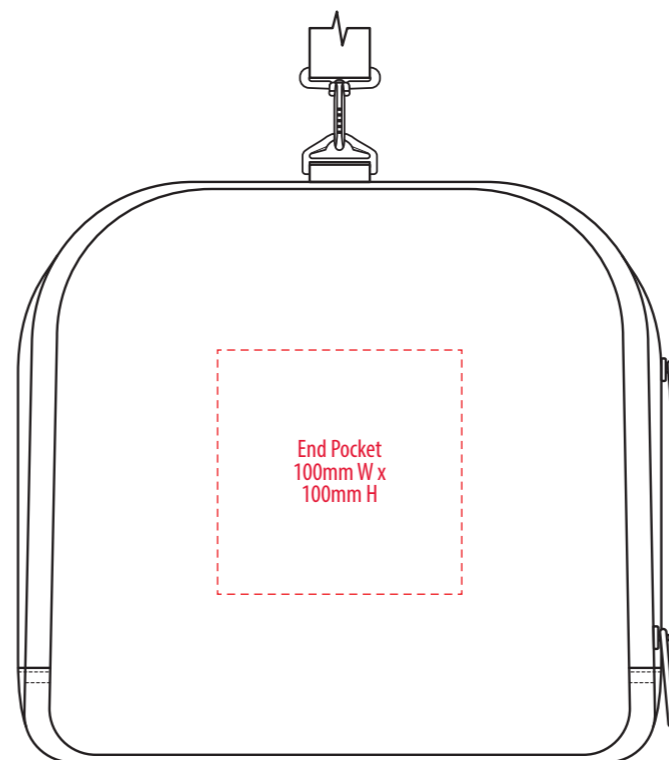
FRONT



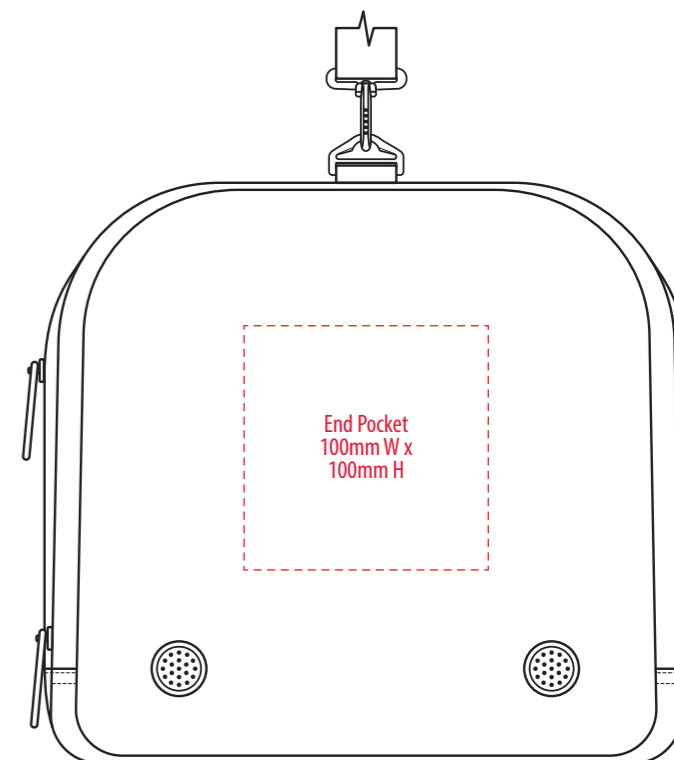
BACK



TOP

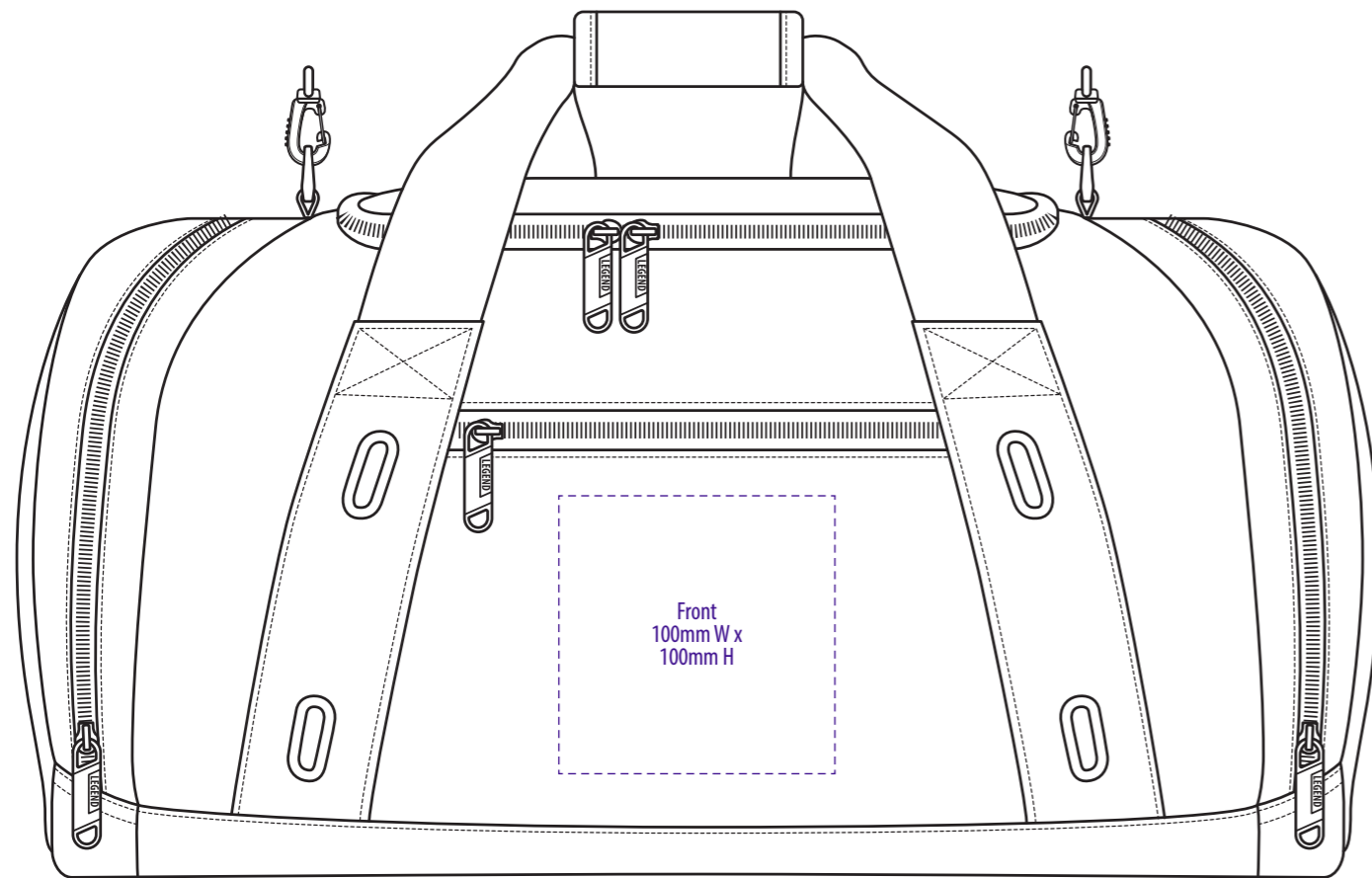


LEFT END

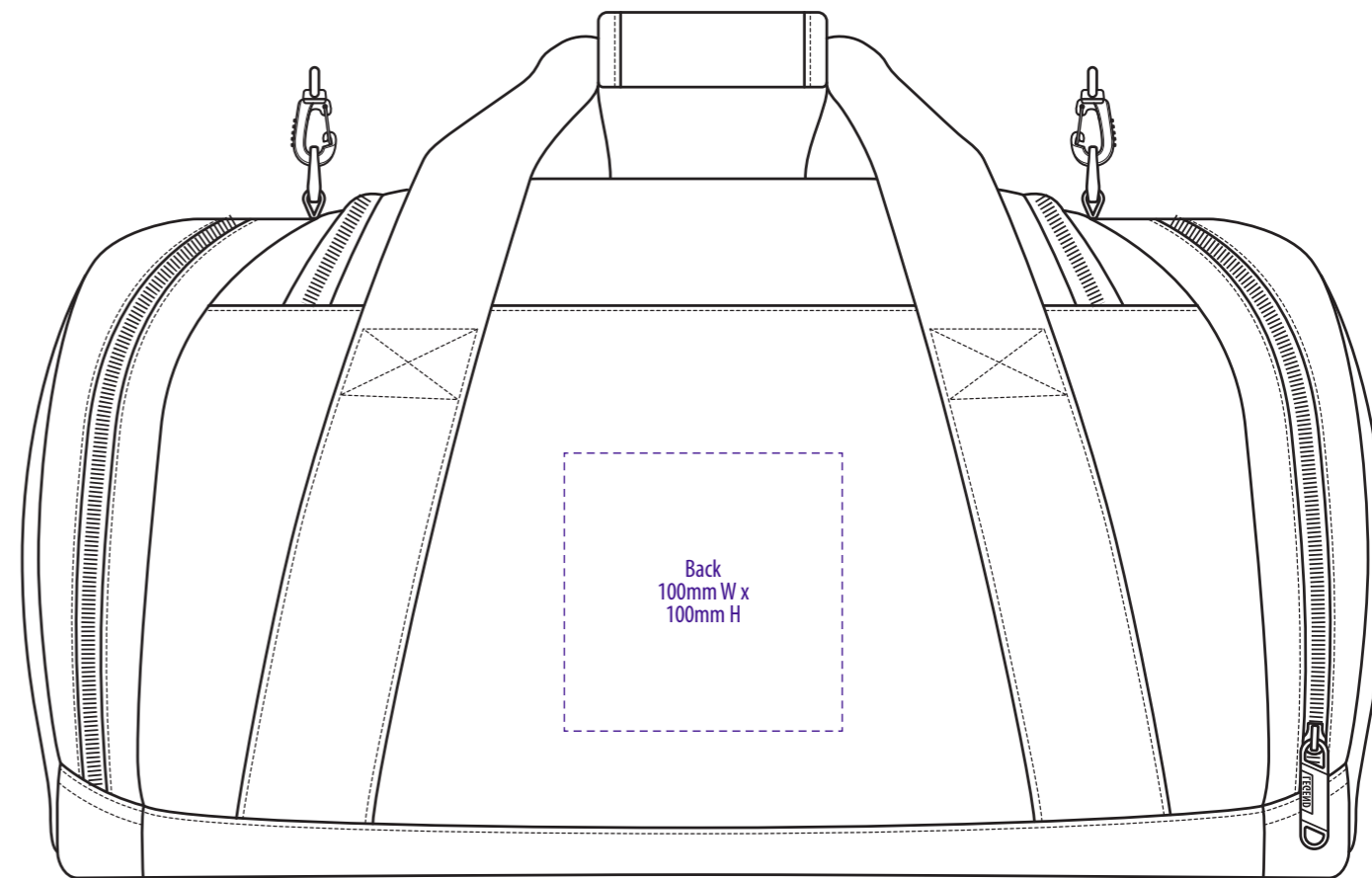


RIGHT END

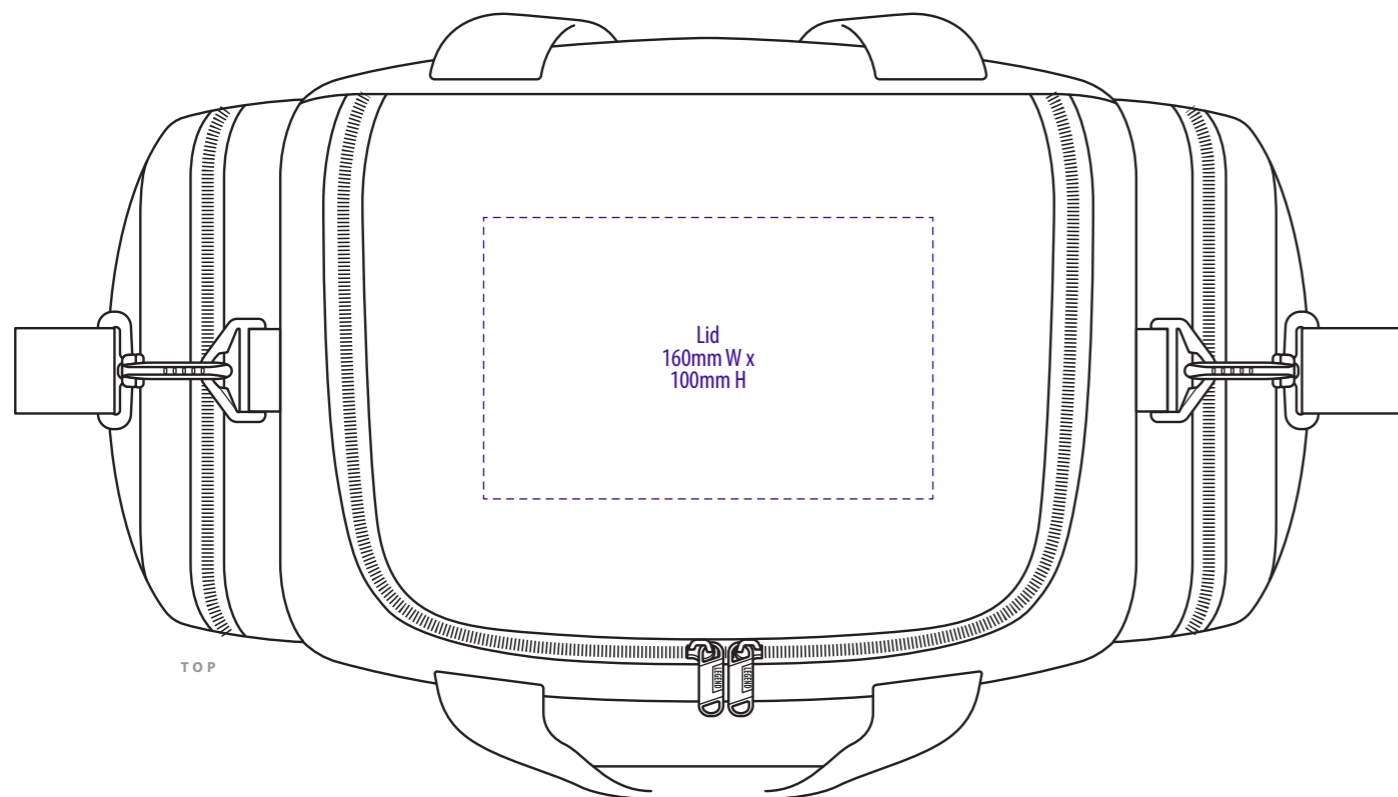
NOTE:
The maximum decoration area is a guide only and is greatly dependant on the logo shape.



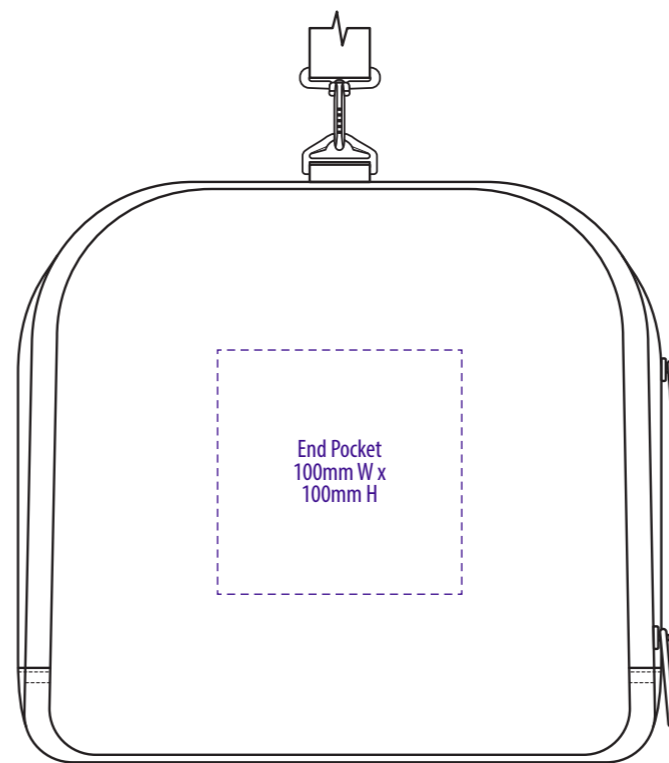
FRONT



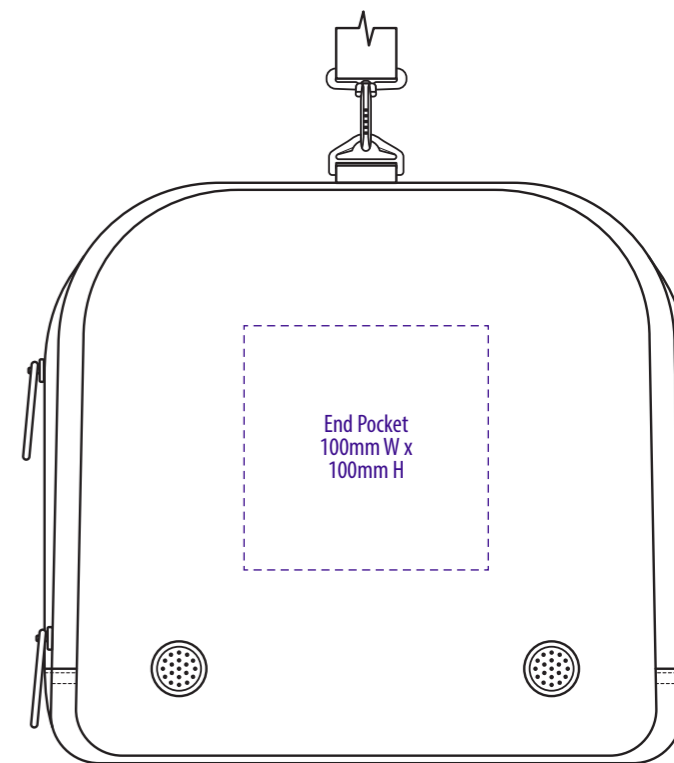
BACK



TOP



LEFT END



RIGHT END

Front
100mm W x
100mm H

Back
100mm W x
100mm H

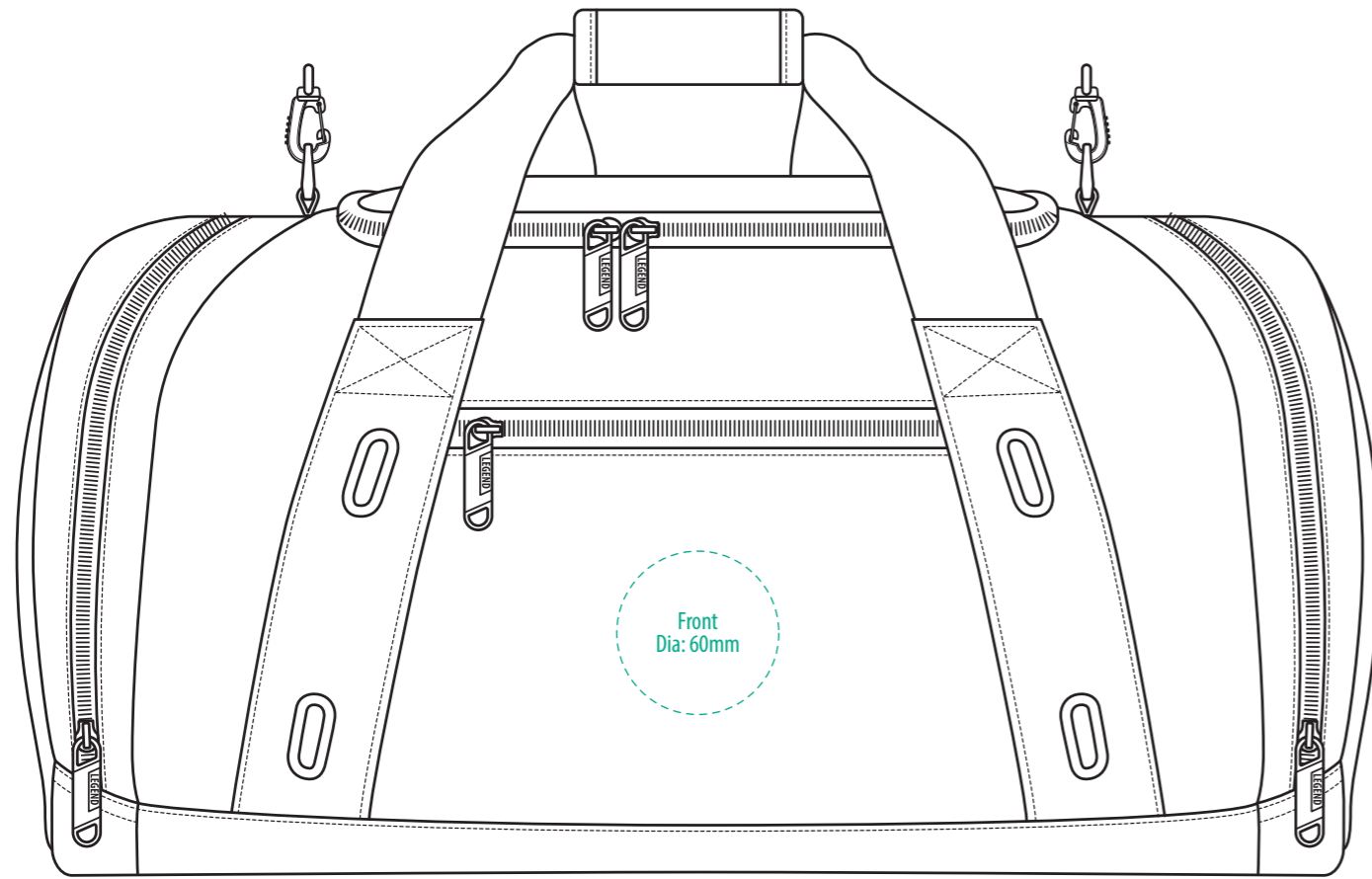
Lid
160mm W x
100mm H

End Pocket
100mm W x
100mm H

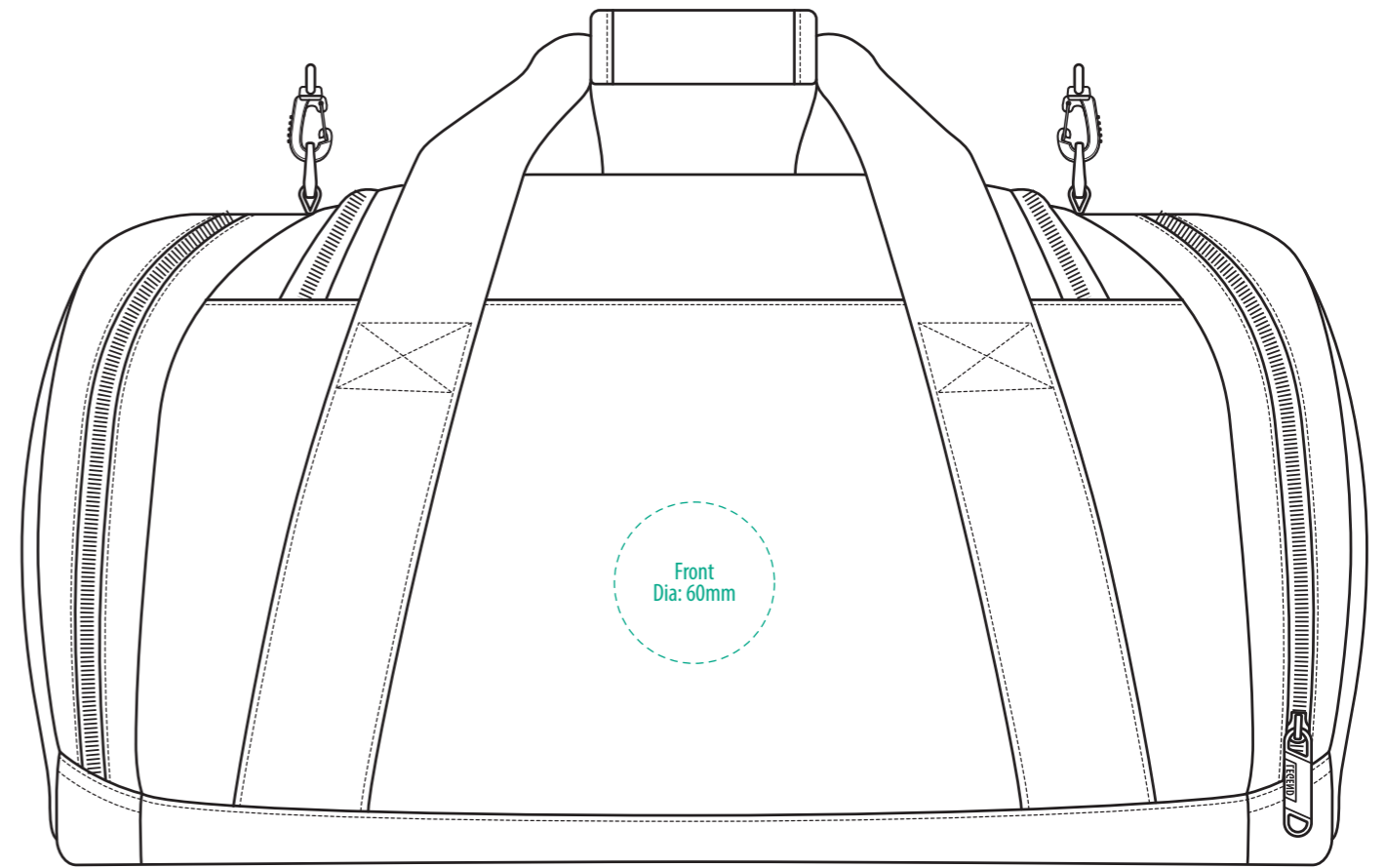
End Pocket
100mm W x
100mm H

NOTE:
The maximum decoration area is a guide only and is greatly dependant on the logo shape.

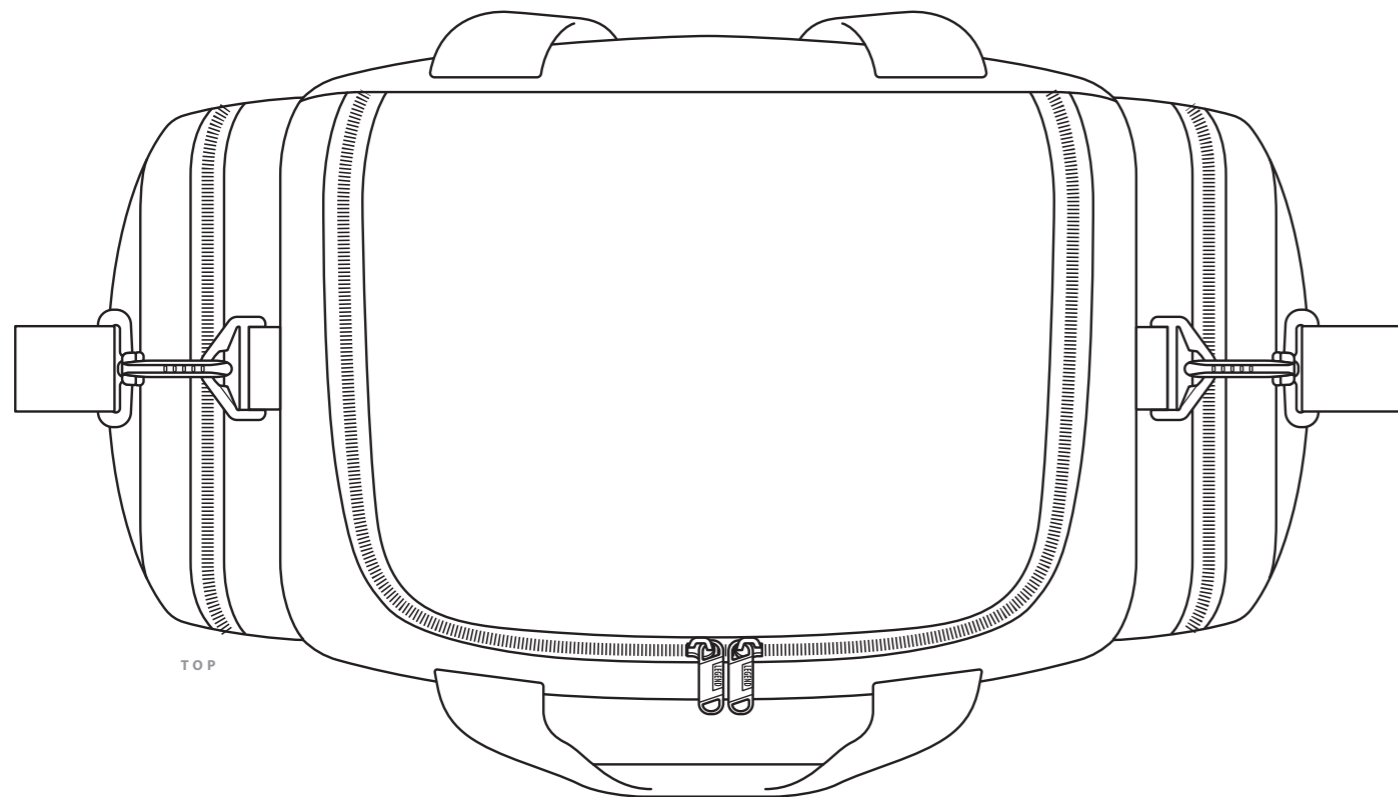
DTF



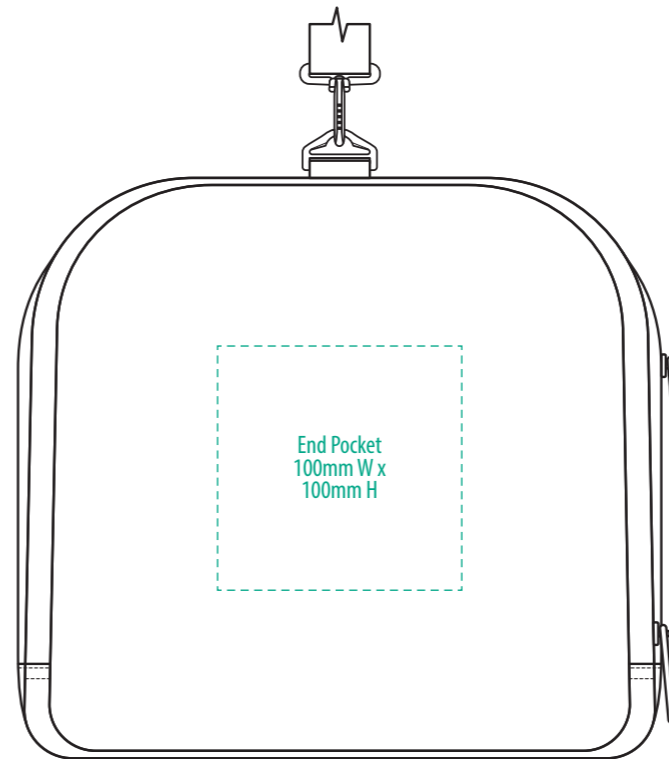
FRONT



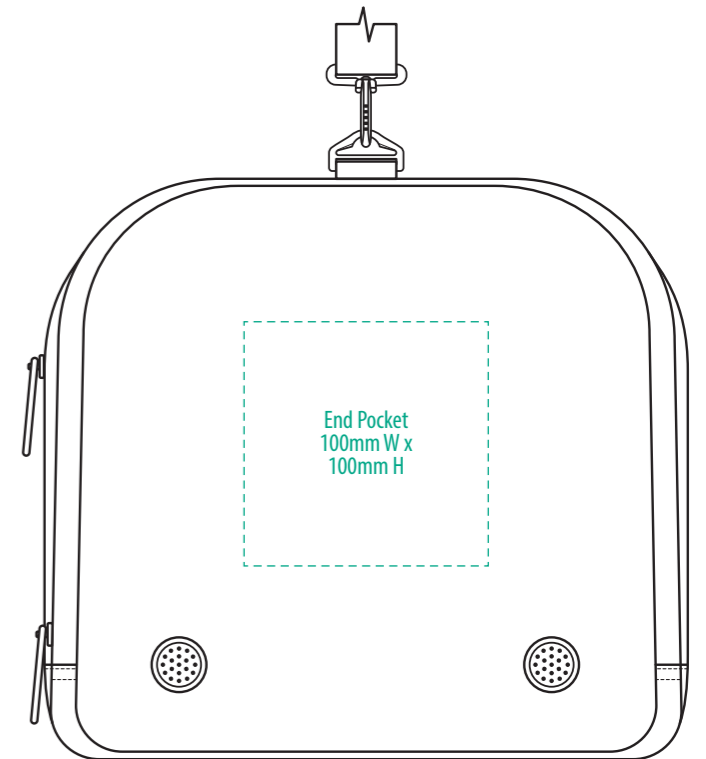
BACK



TOP



LEFT END



RIGHT END

NOTE:

The maximum decoration area is a guide only and is greatly dependant on the logo shape.

 SUPASUB / SUPAETCH / SUPAFLEX

1289

FABRIC SWATCH

BLACK/CHARCOAL



BLACK



PMS 433 C

Pantone colours are provided as a reference only and are based on closest match. Actual product colour may differ. If a precise colour match is required we recommend ordering a sample.