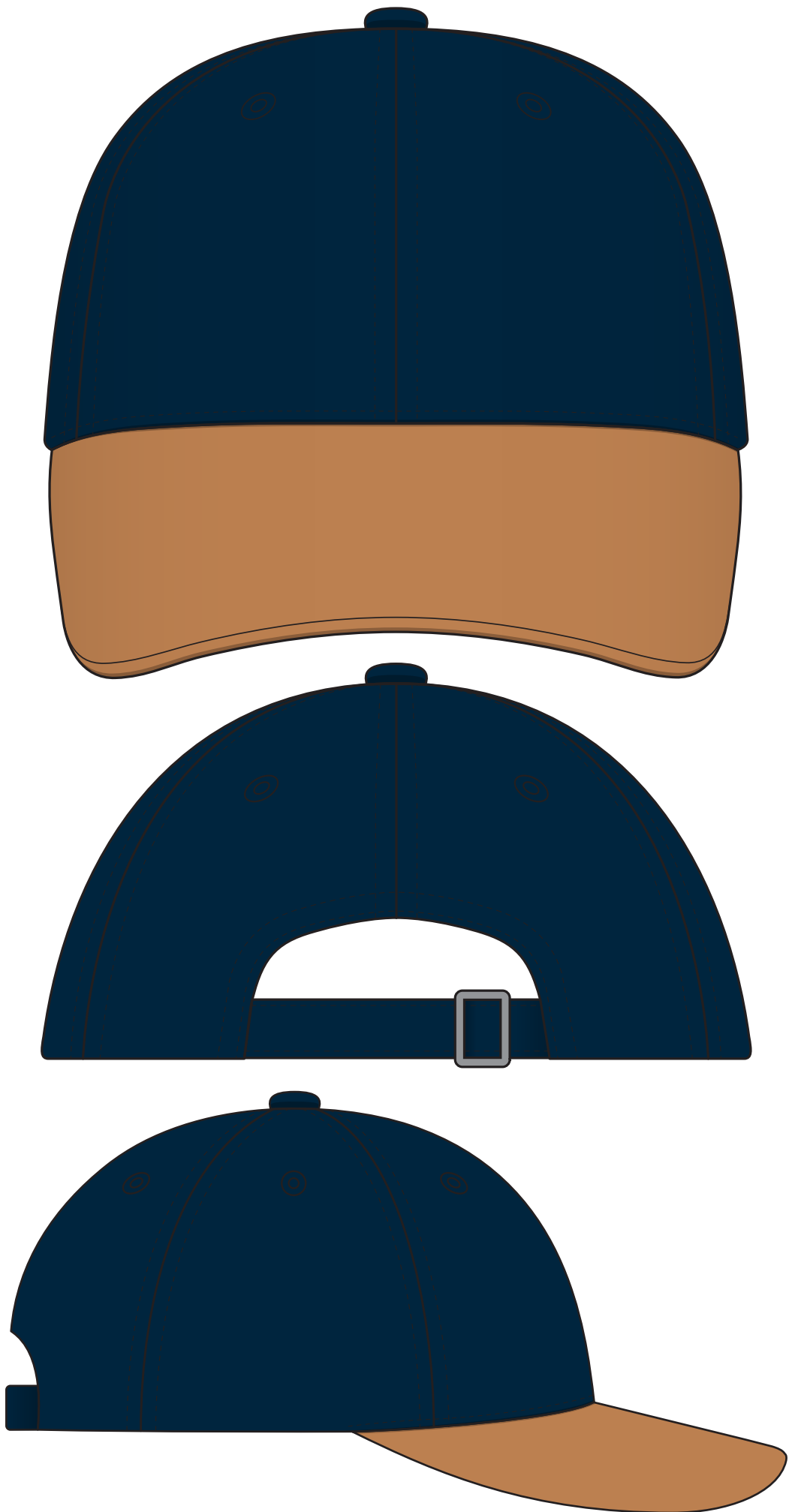
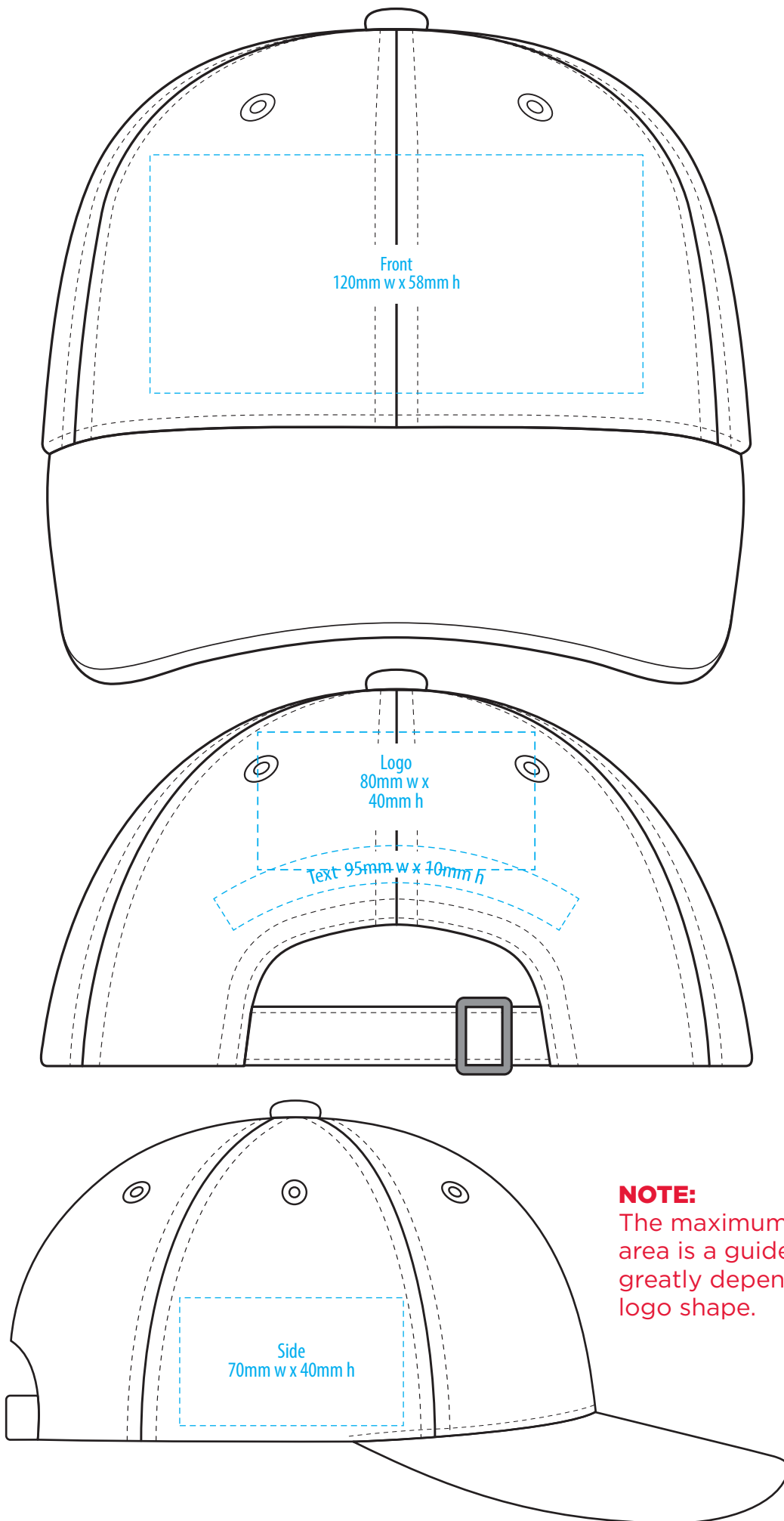


4281

COLOURWAYS

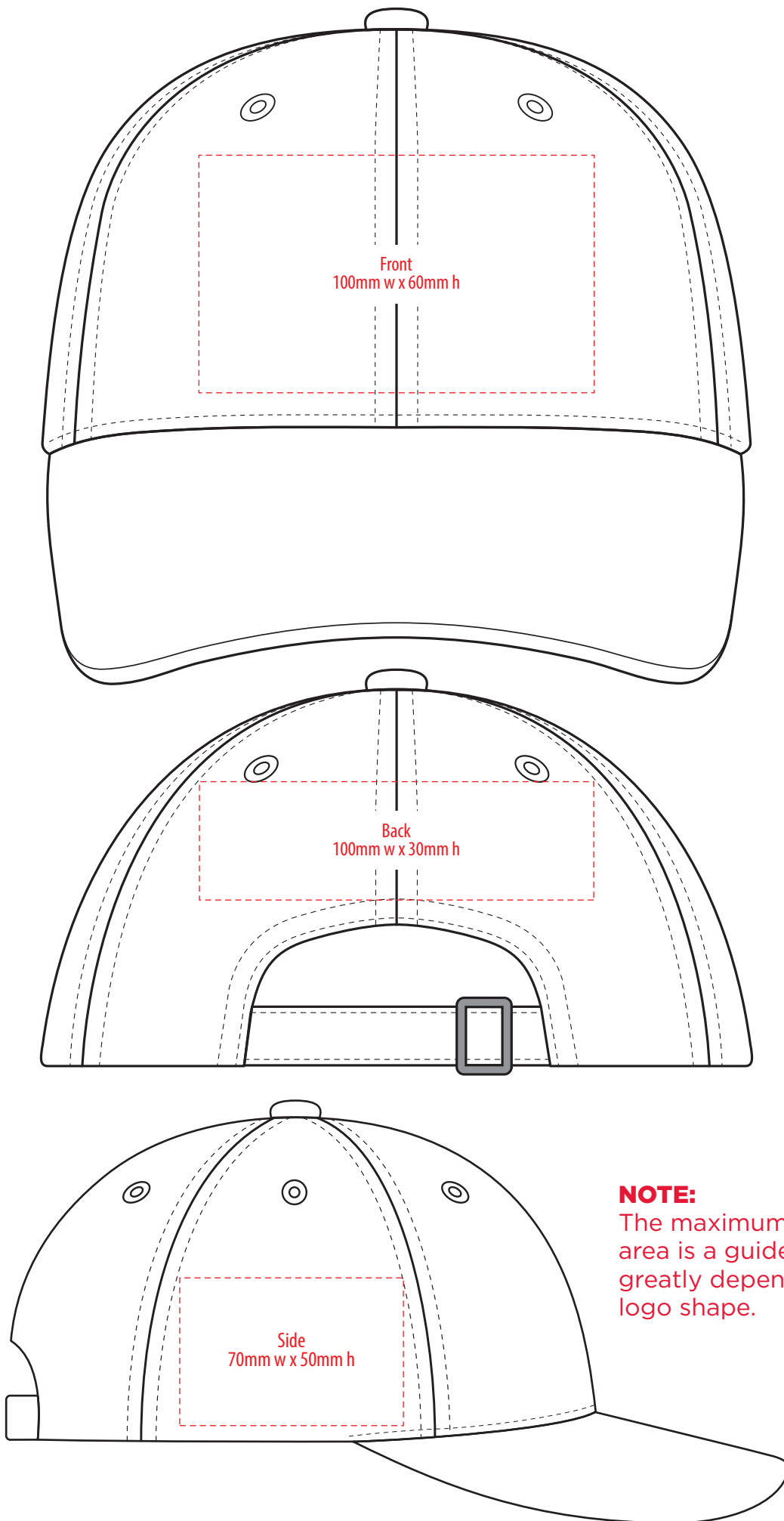


COLOUR

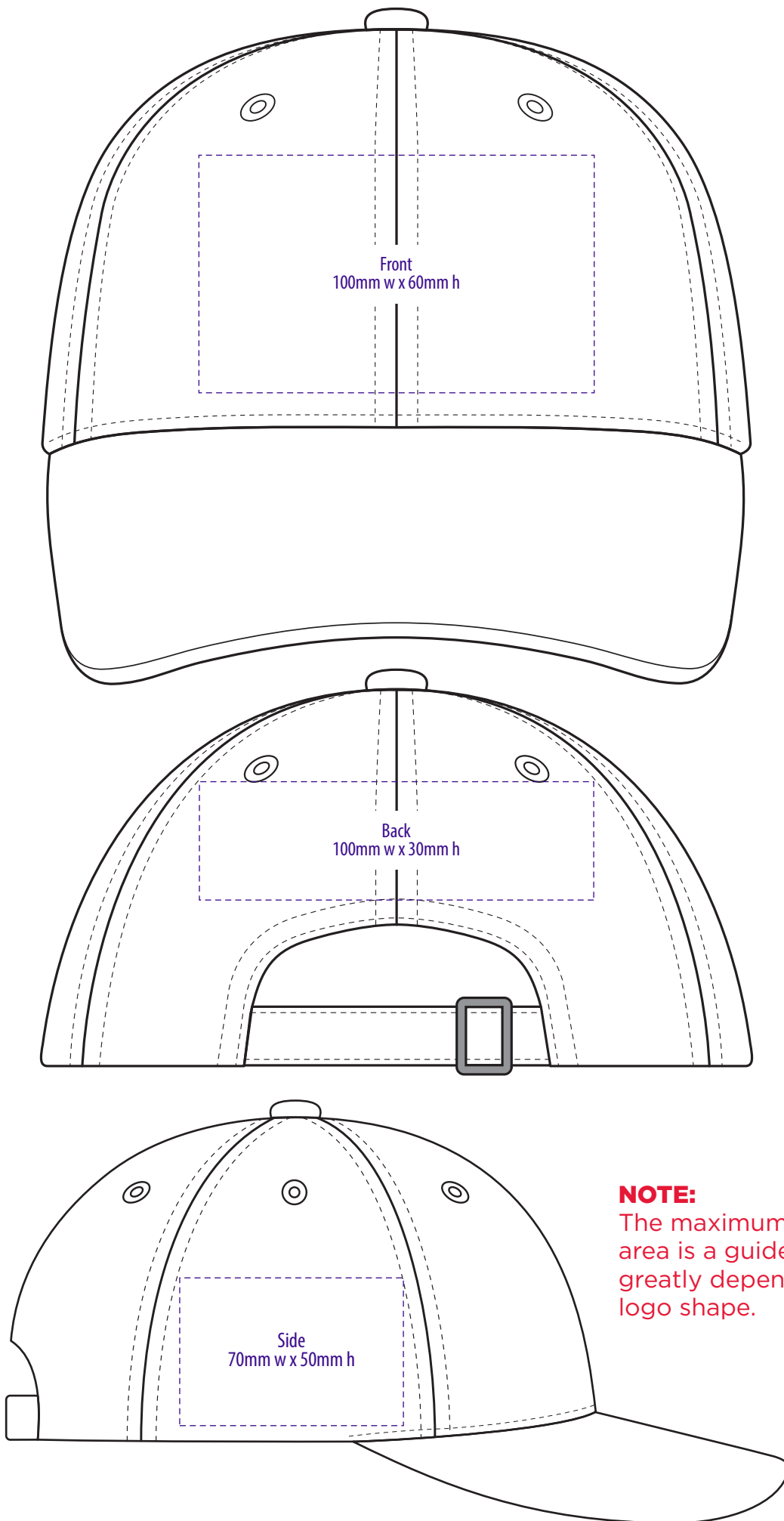


NOTE:
The maximum decoration area is a guide only and is greatly dependant on the logo shape.

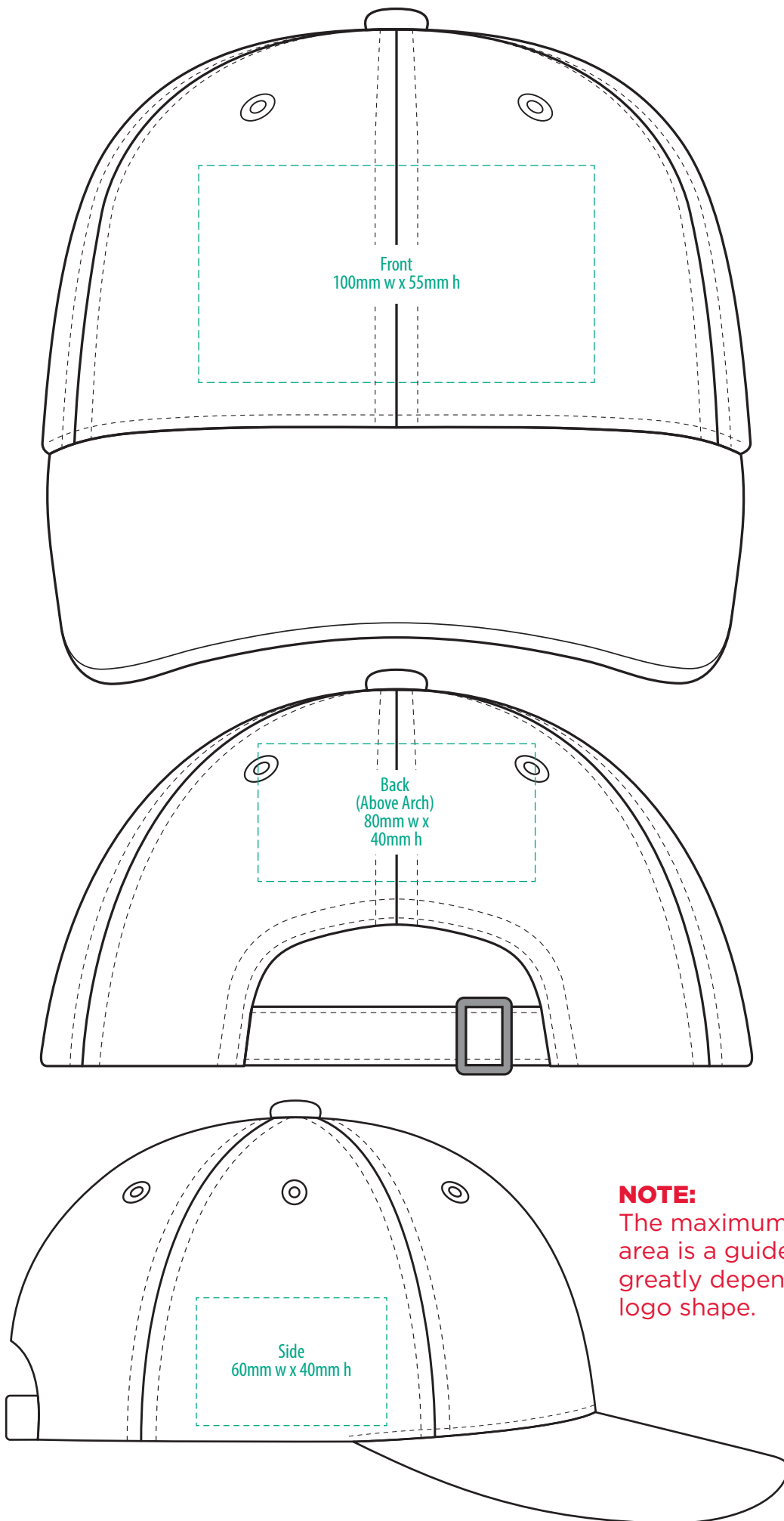
EMBROIDERY



NOTE:
The maximum decoration area is a guide only and is greatly dependant on the logo shape.



NOTE:
The maximum decoration area is a guide only and is greatly dependant on the logo shape.



Front
100mm w x 55mm h

Back
(Above Arch)
80mm w x
40mm h

Side
60mm w x 40mm h

NOTE:
The maximum decoration area is a guide only and is greatly dependant on the logo shape.

SUPASUB / SUPAETCH / SUPAFLEX

[PATCH MUST BE AT LEAST 25MM X 25MM]

4281

FABRIC SWATCH

NAVY/TAN



PMS 2965 C



PMS 729 C

Pantone colours are provided as a reference only and are based on closest match. Actual product colour may differ. If a precise colour match is required we recommend ordering a sample.