

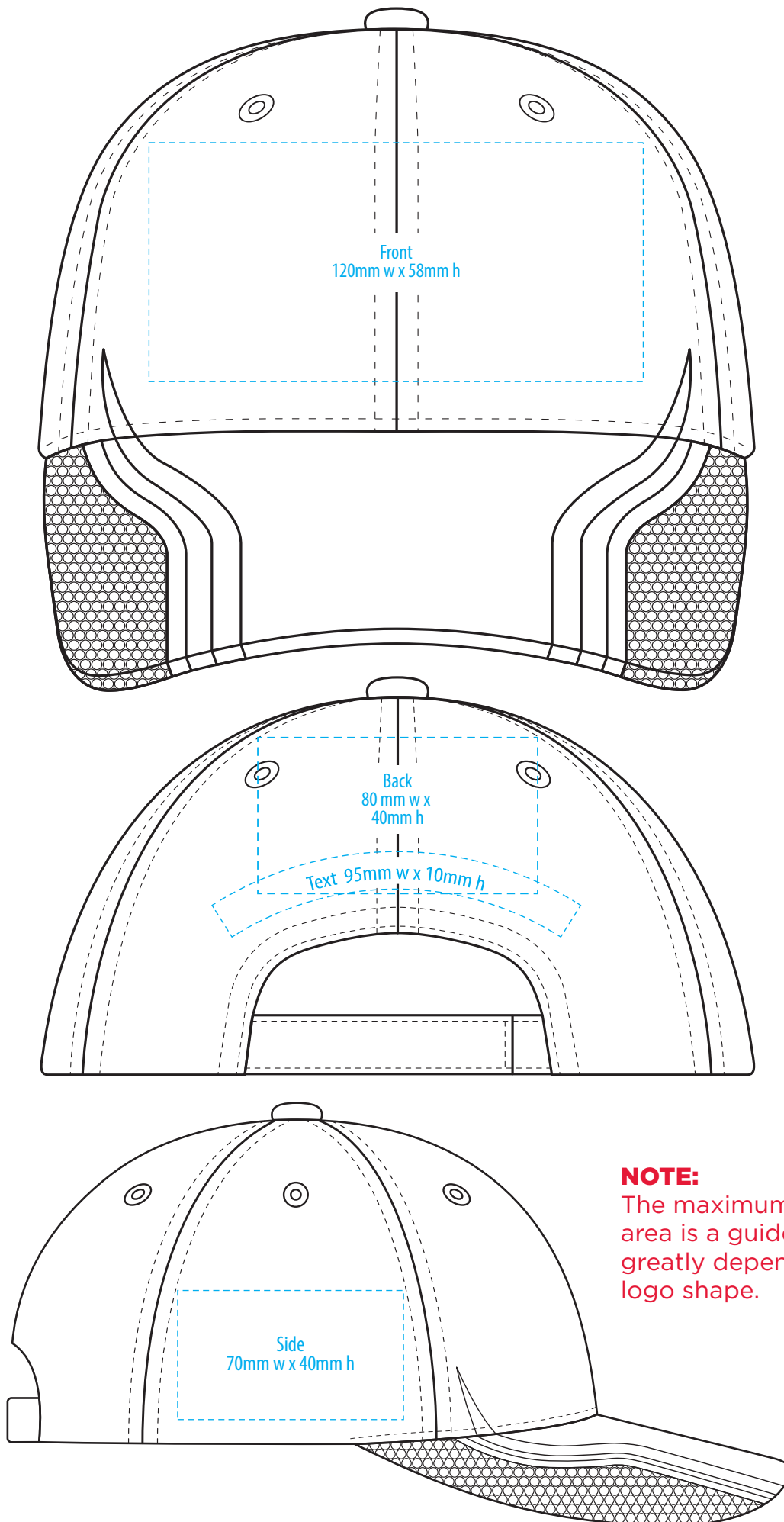
4361

COLOURWAYS



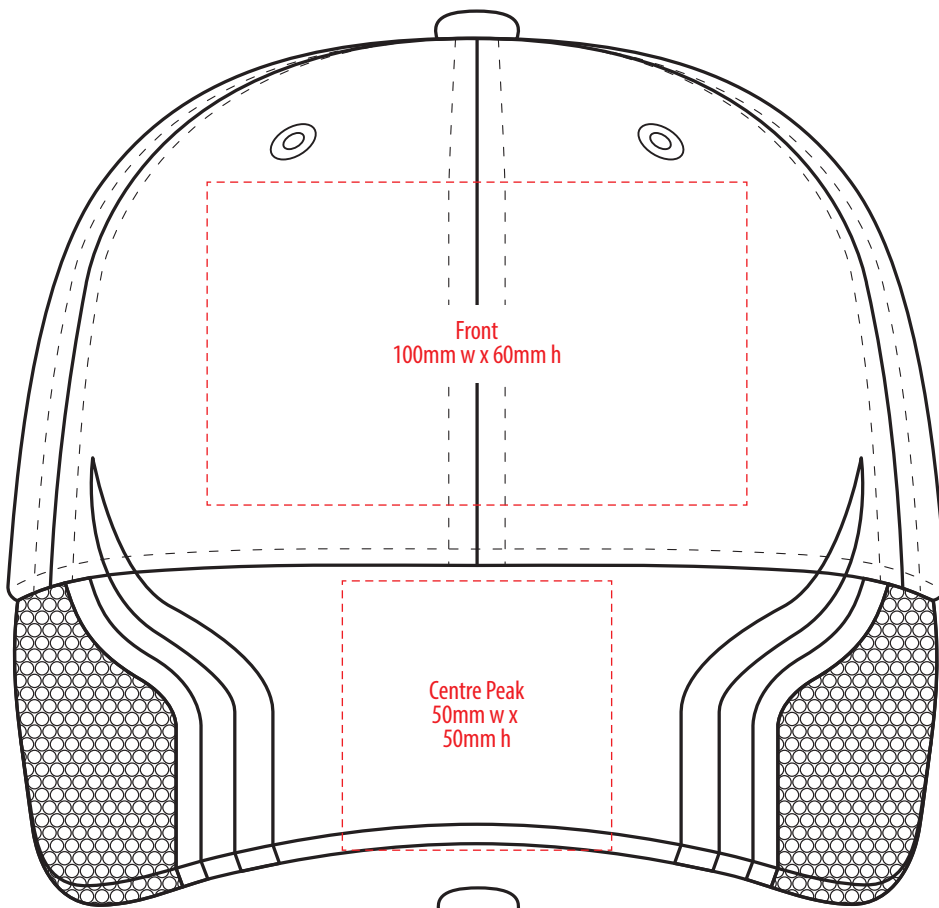
COLOUR

4361



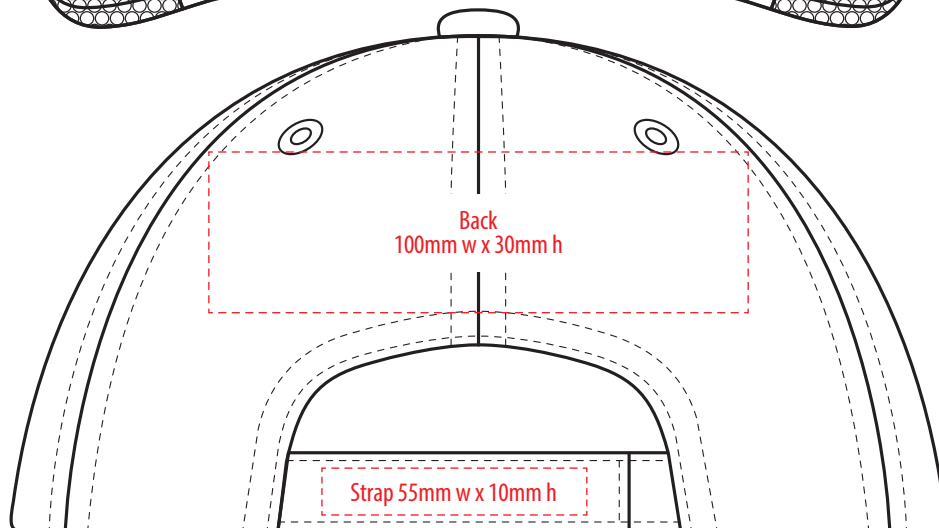
NOTE:
The maximum decoration area is a guide only and is greatly dependant on the logo shape.

EMBROIDERY



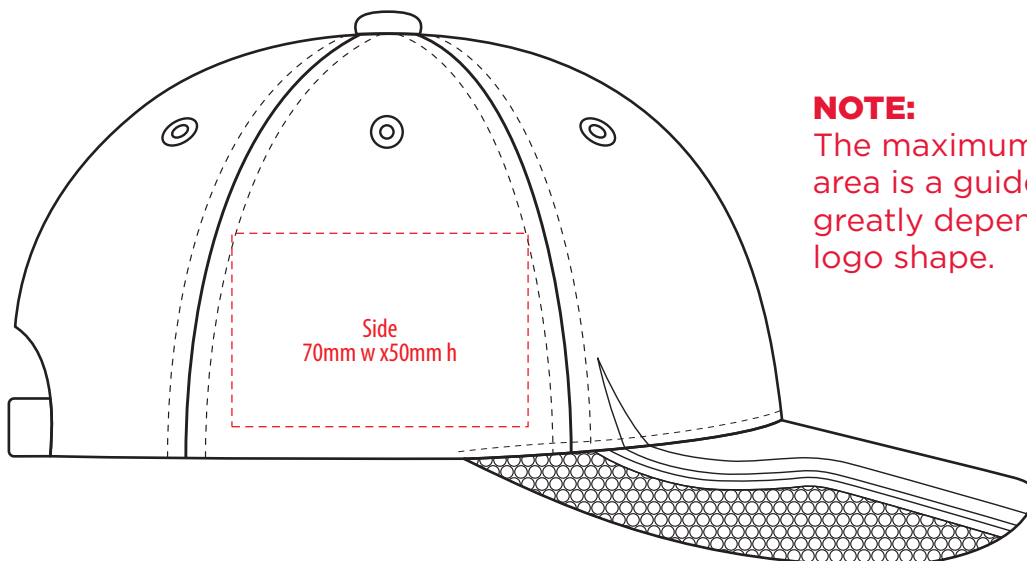
Front
100mm w x 60mm h

Centre Peak
50mm w x
50mm h



Back
100mm w x 30mm h

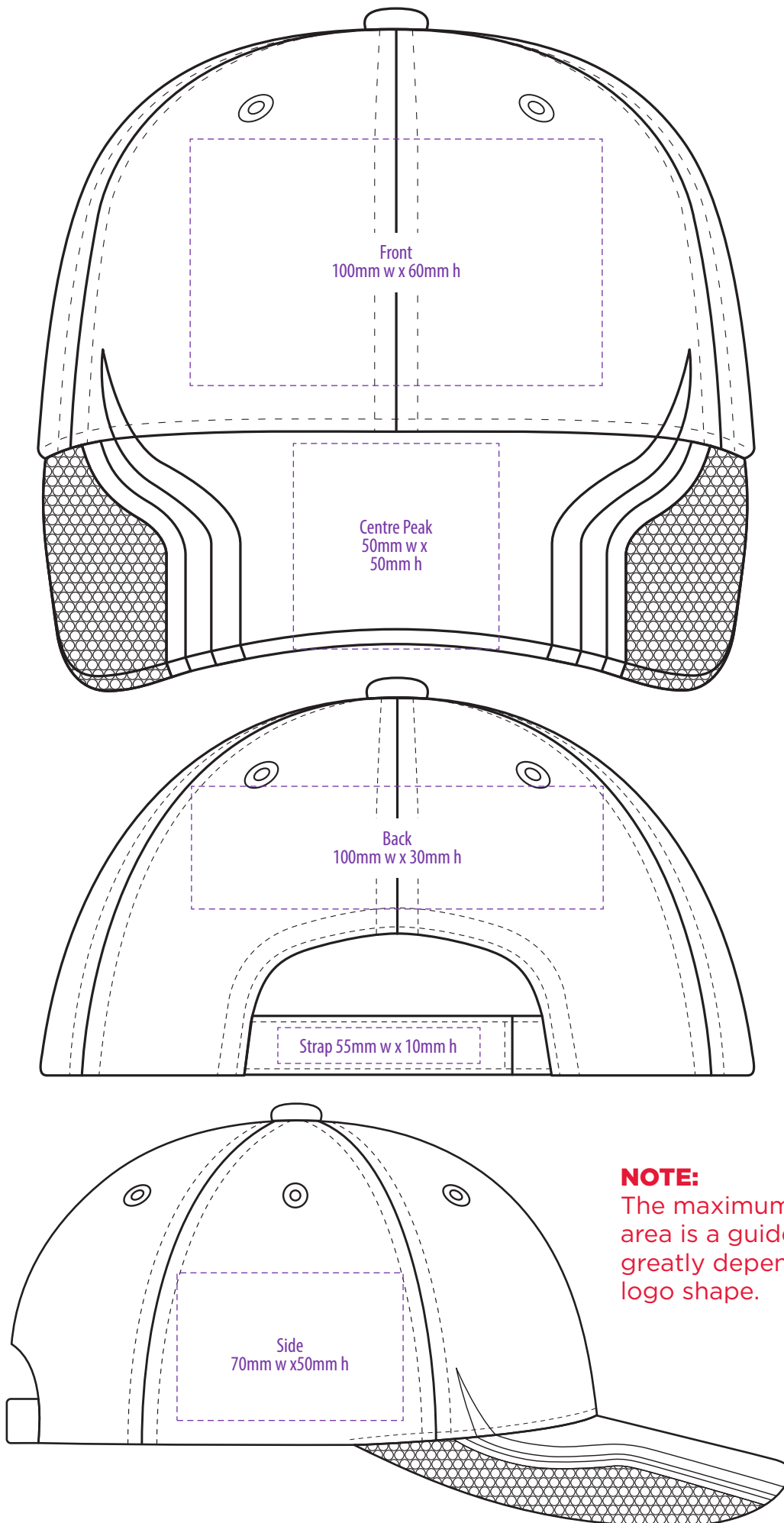
Strap 55mm w x 10mm h



Side
70mm w x 50mm h

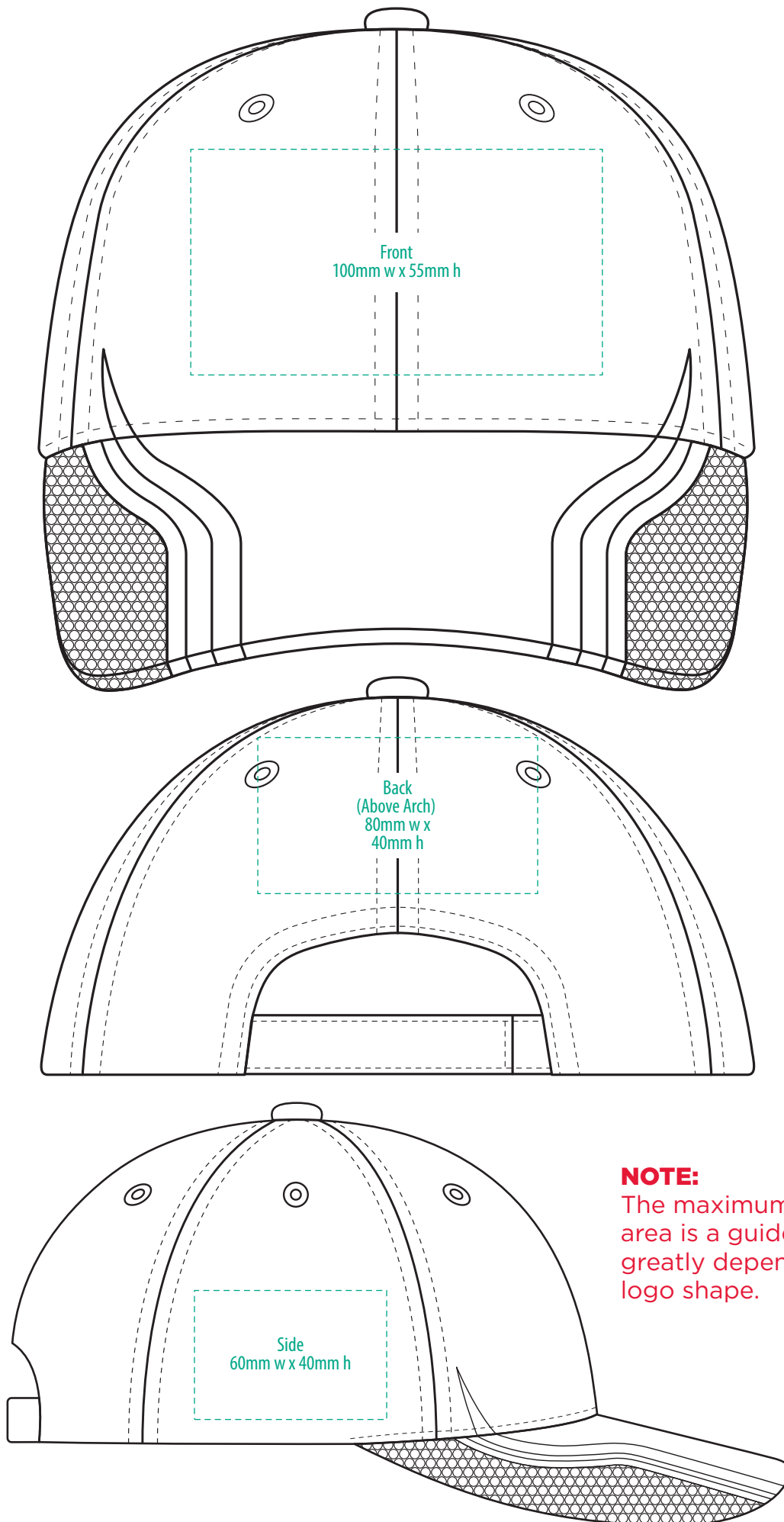
NOTE:

The maximum decoration area is a guide only and is greatly dependant on the logo shape.



NOTE:
The maximum decoration area is a guide only and is greatly dependant on the logo shape.

4361



NOTE:
The maximum decoration area is a guide only and is greatly dependant on the logo shape.

SUPASUB / SUPAETCH / SUPAFLEX

[PATCH MUST BE AT LEAST 25MM X 25MM]

4361

FABRIC SWATCH

BLACK/RED



BLACK



PMS 186 C

BLACK/ROYAL



BLACK



PMS 287 C

Pantone colours are provided as a reference only and are based on closest match. Actual product colour may differ. If a precise colour match is required we recommend ordering a sample.